



DUSTHUNTER T200

TRANSMITTANCE DUST MEASURING DEVICES

SICK
Sensor Intelligence.



Ordering information

Type	Part no.
DUSTHUNTER T200	On request

Our regional sales organization will help you to select the optimum device configuration.

Other models and accessories → www.sick.com/DUSTHUNTER_T200



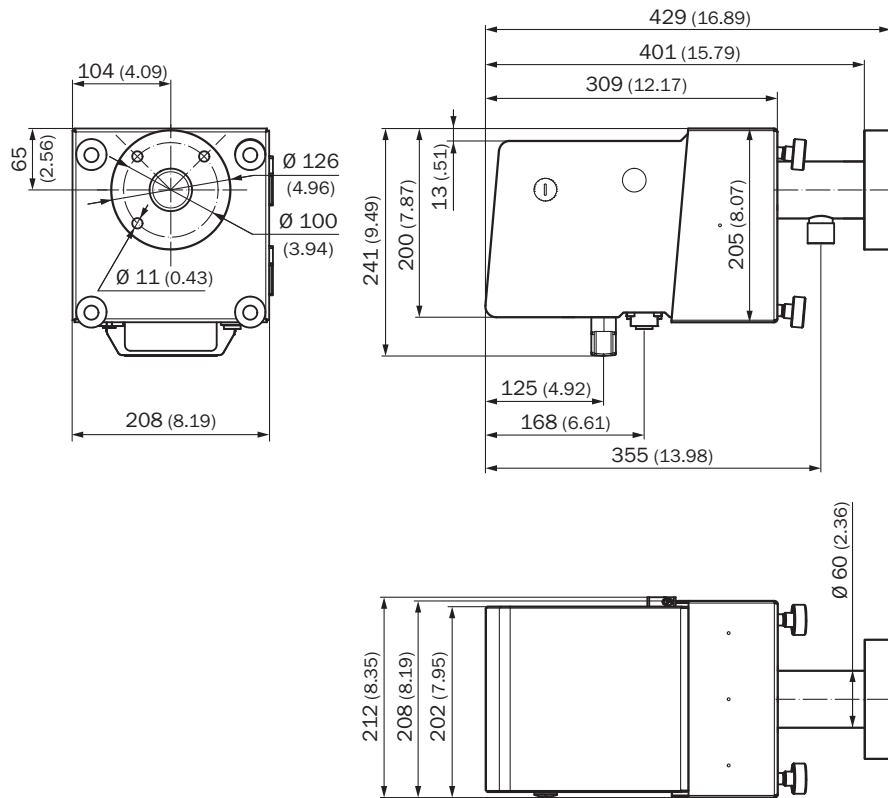
Detailed technical data

Classifications

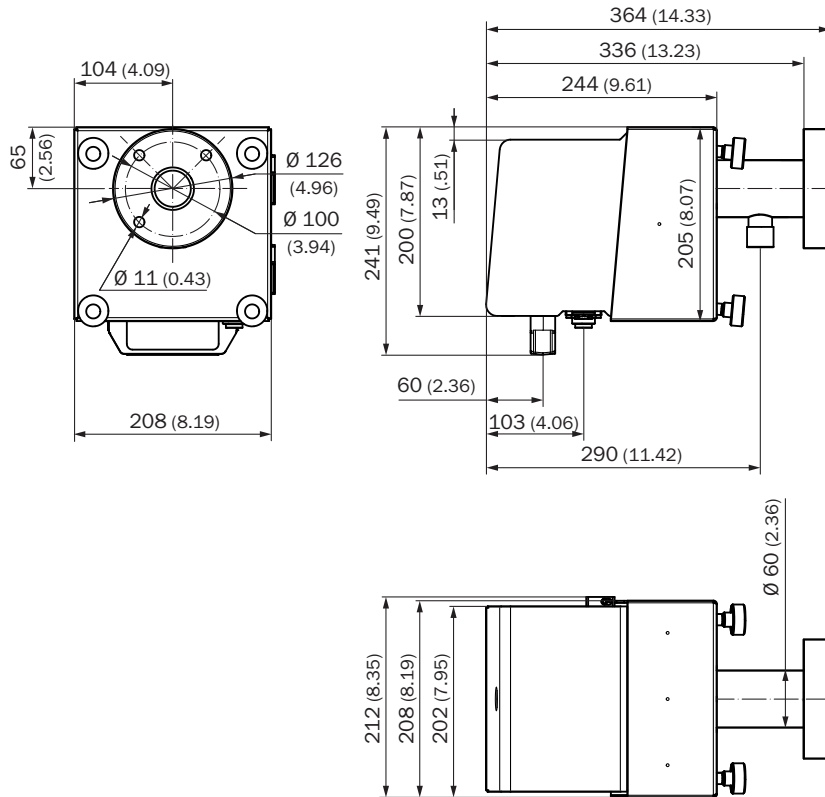
eCl@ss 5.0	27150304
eCl@ss 5.1.4	27150304
eCl@ss 6.0	27150304
eCl@ss 6.2	27150304
eCl@ss 7.0	27150304
eCl@ss 8.0	27150304
eCl@ss 8.1	27150304
eCl@ss 9.0	27150304
eCl@ss 10.0	27150304
eCl@ss 11.0	27150304
eCl@ss 12.0	27150304
ETIM 5.0	EC001190
ETIM 6.0	EC001190
ETIM 7.0	EC001190
ETIM 8.0	EC001190
UNSPSC 16.0901	41115406

Dimensional drawing (Dimensions in mm (inch))

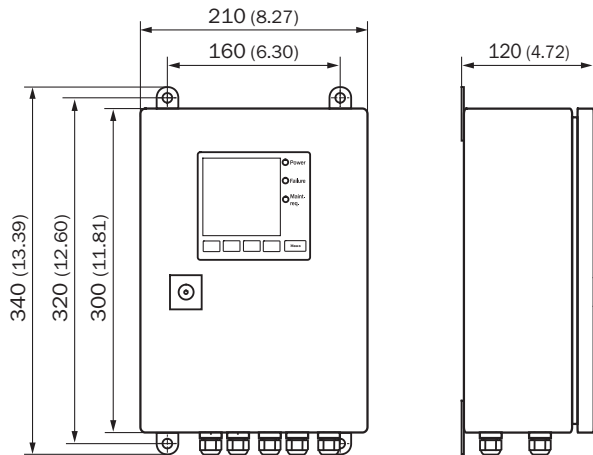
DHT-T21 sender/receiver unit



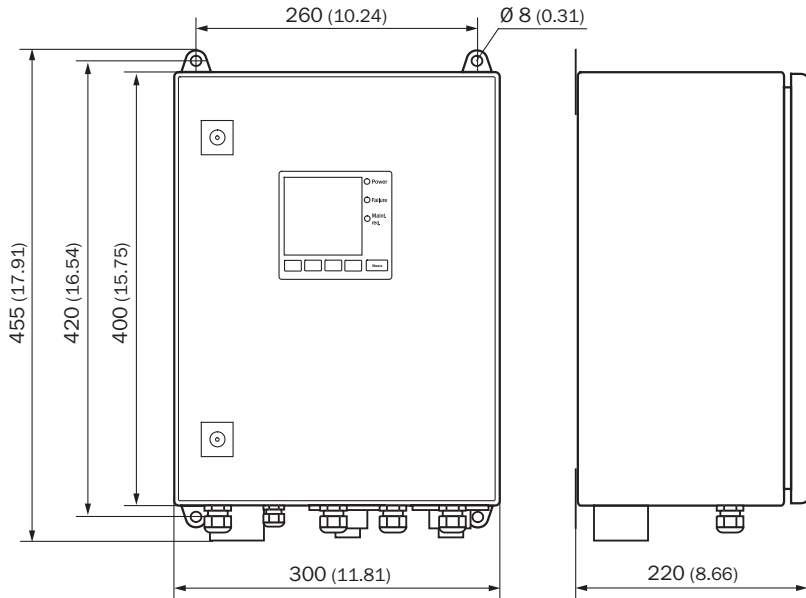
DHT-R1x reflector unit



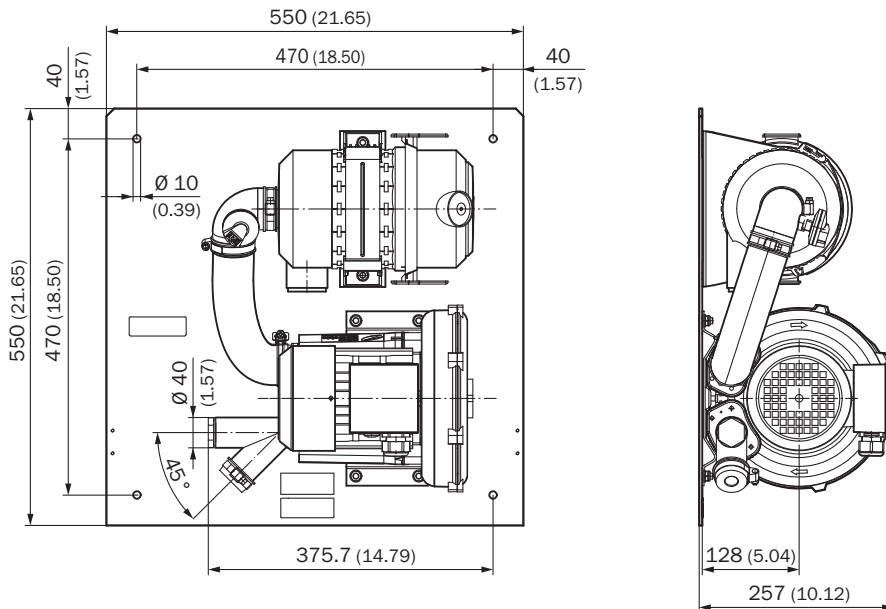
MCU-N control unit; wall-mounting enclosure, compact version (for non-hazardous areas only)



MCU-P control unit; wall-mounting enclosure, compact version (for non-hazardous areas only)



SLV4-2 purge air unit, 2BH1300



SICK AT A GLANCE

SICK is one of the leading manufacturers of intelligent sensors and sensor solutions for industrial applications. A unique range of products and services creates the perfect basis for controlling processes securely and efficiently, protecting individuals from accidents and preventing damage to the environment.

We have extensive experience in a wide range of industries and understand their processes and requirements. With intelligent sensors, we can deliver exactly what our customers need. In application centers in Europe, Asia and North America, system solutions are tested and optimized in accordance with customer specifications. All this makes us a reliable supplier and development partner.

Comprehensive services complete our offering: SICK LifeTime Services provide support throughout the machine life cycle and ensure safety and productivity.

For us, that is “Sensor Intelligence.”

WORLDWIDE PRESENCE:

Contacts and other locations –www.sick.com